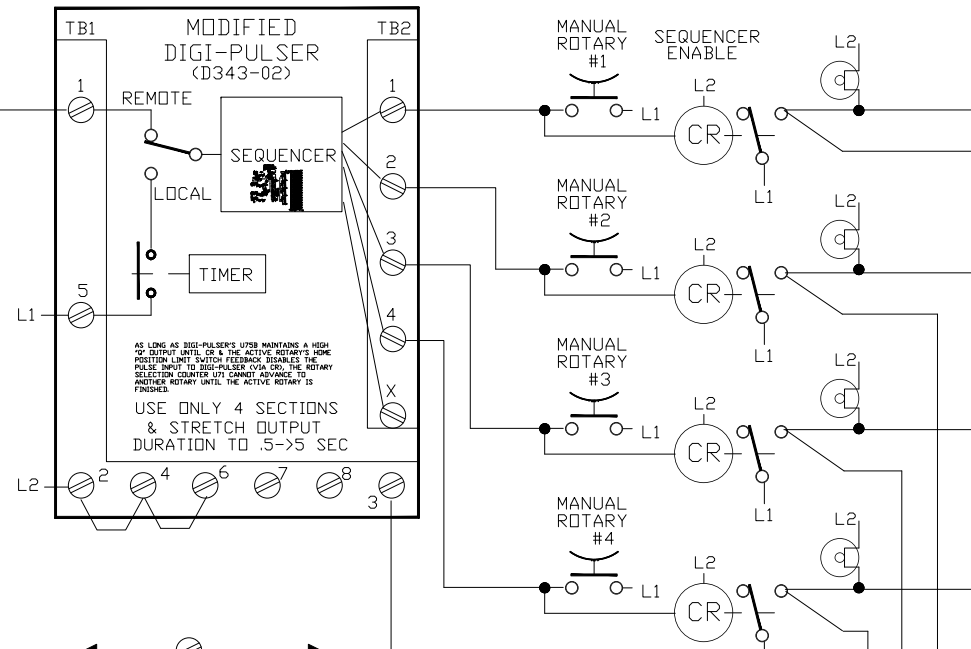
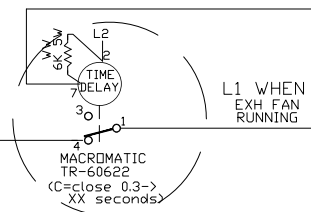
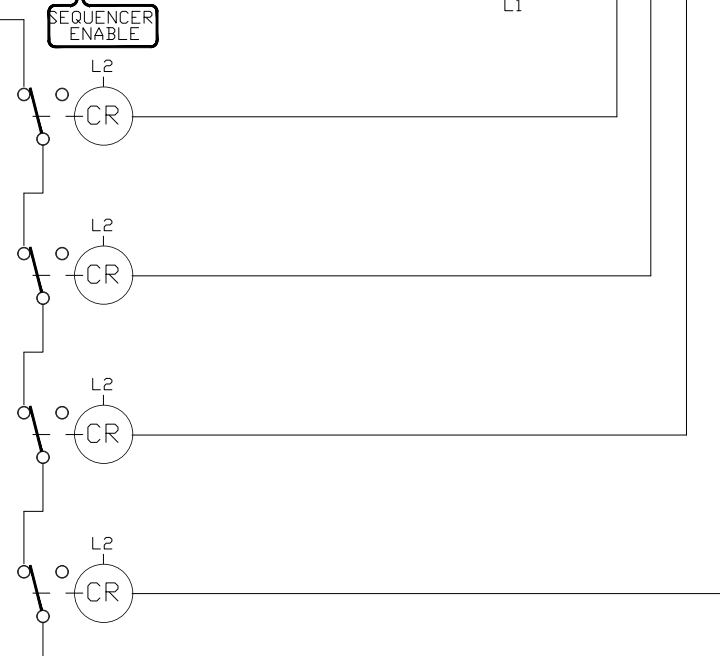


SUGGESTED FIELD WIRING

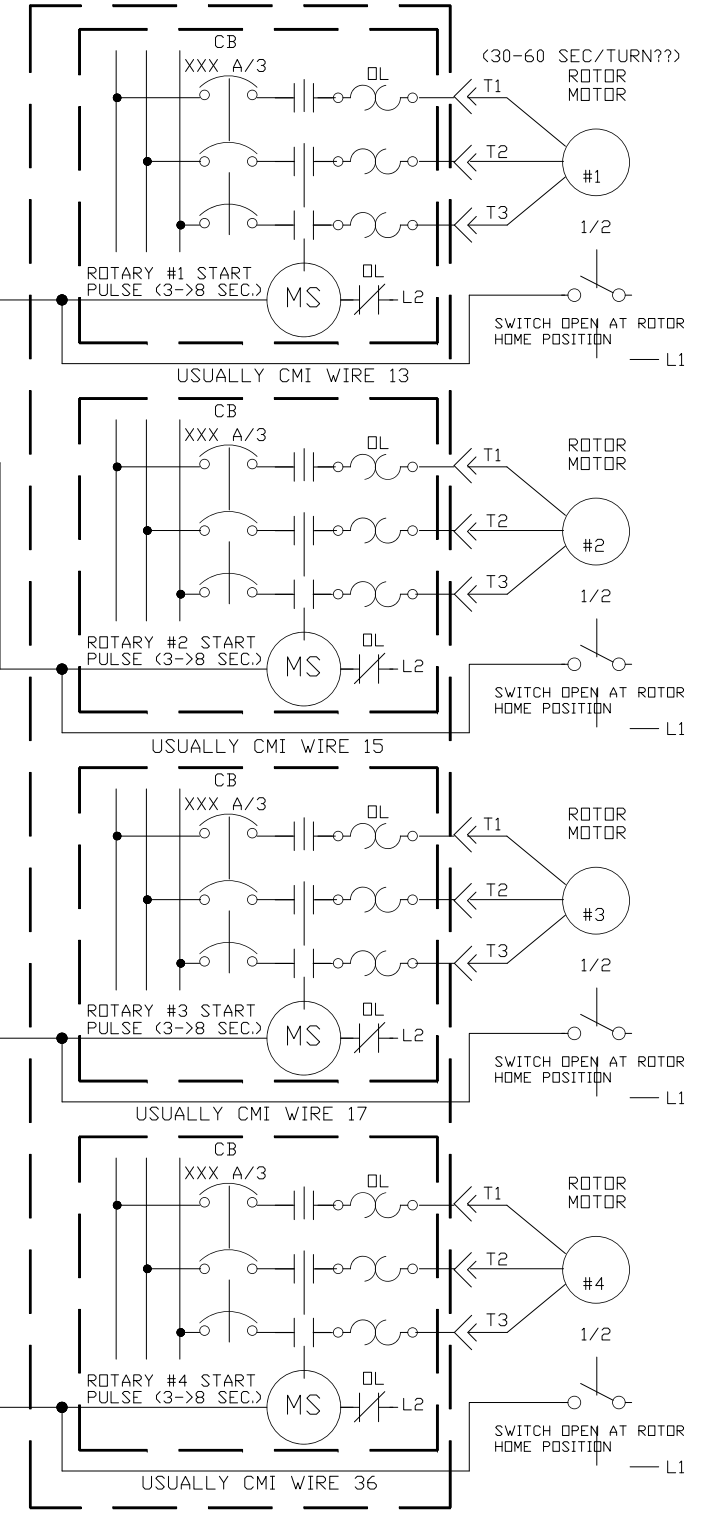


Power supplied from here to timer will provide full selected timing cycle between rotations. If timers are powered continuously, an unpredictable amount of time will be remaining after sequence enable gates.



Add this to plants that dust dumps directly into return auger (no dust storage, silo etc.) to prevent overloading auger.

CMI ROTO-AIRE BAGHOUSE



B & B LIGHT INDUSTRIES			
Claremore (Tulsa), OK 74019			
DIGI-PULSER FIELD WIRING for CMI ROTO-AIRE BAGHOUSE			
SCALE: - NONE -	DATE: 03-04-00	SHEET 1 of 1	
DWN BY: RY		DRAWING NUMBER: D343-52-01	REV: A
REV BY:			
APP BY:			